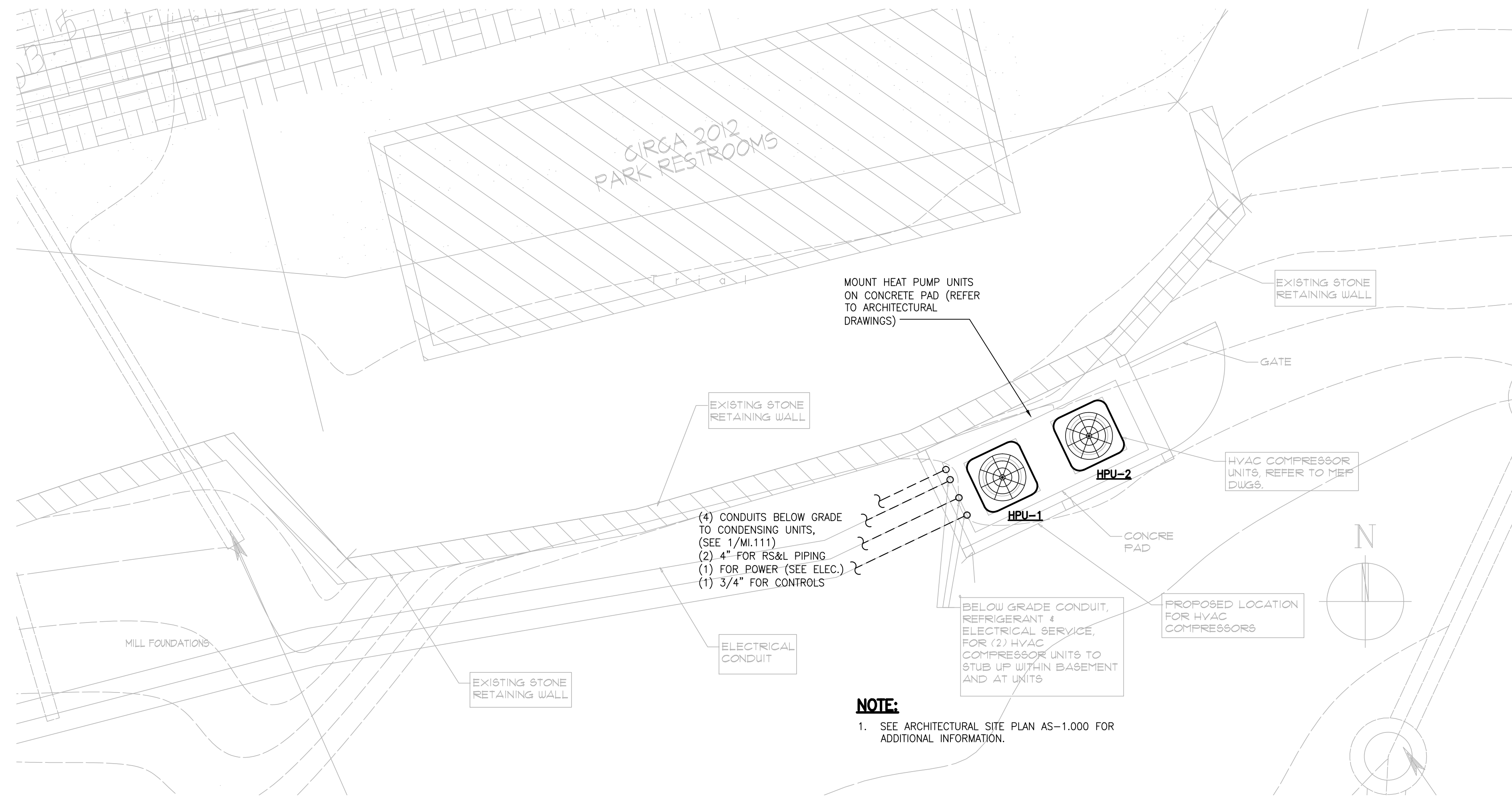


GENERAL NOTES:

- ALL MECHANICAL WORK (INCLUDING FAN-COIL UNITS, DUCTWORK, INSULATION, SUPPORTS, ASSOCIATED CONDUIT, ETC.) SHALL BE FIELD PAINTED IN COLOR TO BE DETERMINED BY ARCHITECT. COORDINATE COLOR REQUIREMENTS WITH ARCHITECT AND PROVIDE COLOR SAMPLES FOR FINAL APPROVAL. DEGREASE, CLEAN, PRIME AND PROVIDE 2 FINISH COATS FOR ALL EXPOSED SURFACES OF MECHANICAL CONSTRUCTION EXCEPT AS FOLLOWS:
a. EQUIPMENT NAMEPLATES AND OTHER PERMANENT LABELS.
b. DISPLAYS OR STATUS INDICATOR LIGHTS
c. ANY ASSEMBLY WHICH MAY NOT BE PAINTED PER MANUFACTURER'S INSTRUCTIONS.
- DUCTWORK SHALL BE SUSPENDED FROM FIRST FLOOR STRUCTURE. FAN-COIL UNITS SHALL BE SUPPORTED BY FABRICATED GALVANIZED STEEL FLOOR STANDS BOLTED TO SOLID ROCK.
- ALL EXCAVATED CRUSHED STONE SHALL BE REPLACED.

- (4) CONDUITS BELOW GRADE TO CONDENSING UNITS, (SEE 2/ML111)
(2) 4" FOR RS&L PIPING
(1) FOR POWER (SEE ELEC.)
(1) 3/4" FOR CONTROLS

1 BASEMENT FLOOR - MECHANICAL
M-1.110 SCALE: 1/4" = 1'-0"



- (4) CONDUITS BELOW GRADE TO CONDENSING UNITS, (SEE 1/ML111)
(2) 4" FOR RS&L PIPING
(1) FOR POWER (SEE ELEC.)
(1) 3/4" FOR CONTROLS

NOTE:
1. SEE ARCHITECTURAL SITE PLAN AS-1.000 FOR ADDITIONAL INFORMATION.

2 CONDENSING UNIT ENCLOSURE
M-1.110 SCALE: 1/4" = 1'-0"

COPYRIGHT NOTICE: CONSTRUCTION LICENSE
Plans COPYRIGHT © 2014 by TODD ARCHITECTS, INC.
These plans are protected under federal copyright law.
Reproduction by any means, modification, or use of these plans to construct to any other project, unless otherwise specifically authorized is prohibited.

Print Record

Revisions

Date: 8-25-2016 Job No.: 201630

Sheet Title
**MECHANICAL PLANS
BASEMENT & SITE**

Sheet No.

M-1.110

Of

■ Released for Construction
□ Not Released for Construction



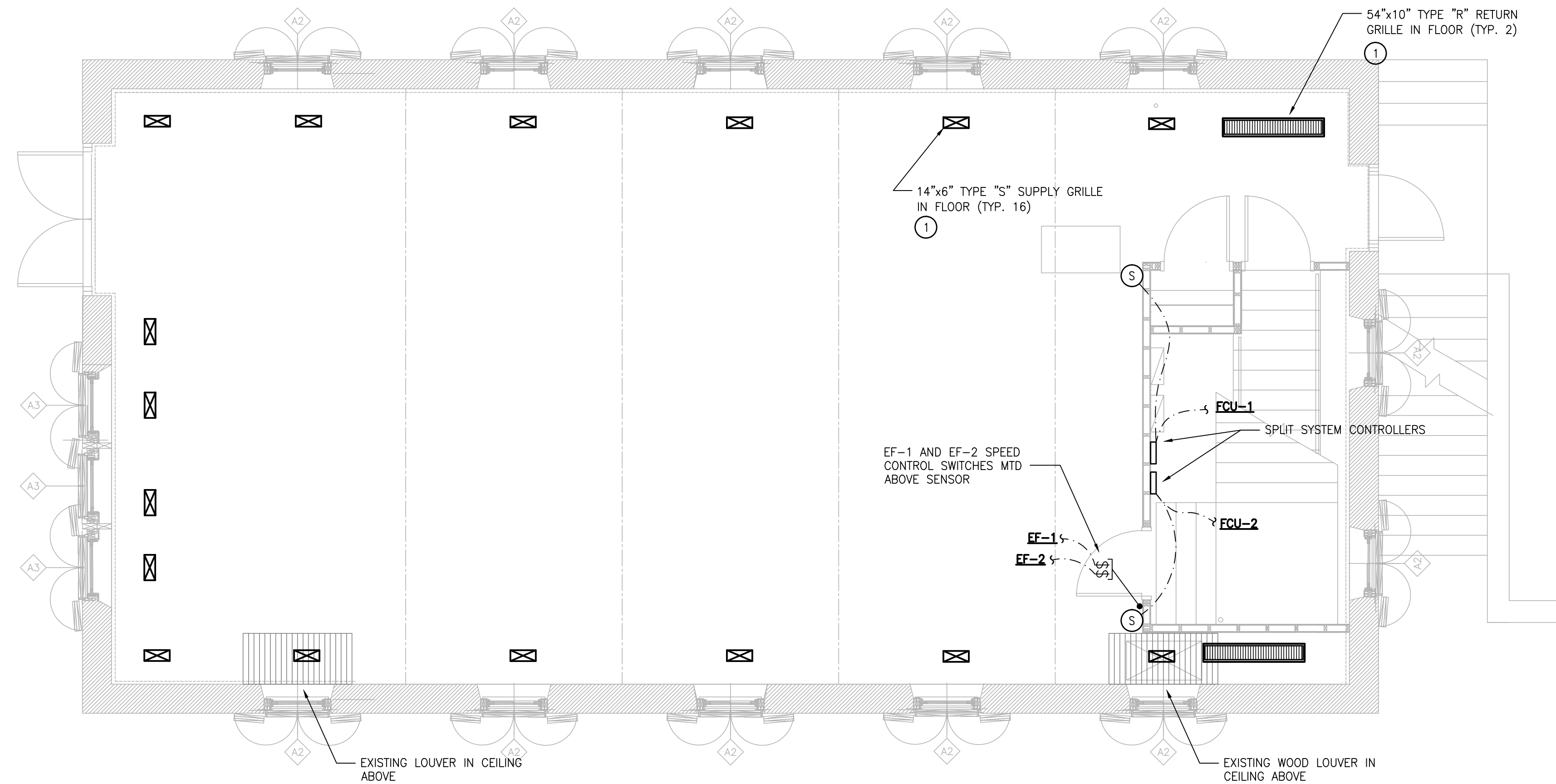
Proposed
ROSWELL MILL
MACHINE SHOP
RENOVATION
circa 1854
Roswell, Georgia
30075

for:
City of Roswell
Parks & Recreation
Department

COPYRIGHT NOTICE: CONSTRUCTION LICENSE.
Plans COPYRIGHT © 2014 by TODD ARCHITECTS, INC.
These plans are protected under federal copyright law.
Reproduction by any means, modification, or use of these
plans to construct to any other project, unless otherwise
specifically authorized is prohibited.

GENERAL NOTES:

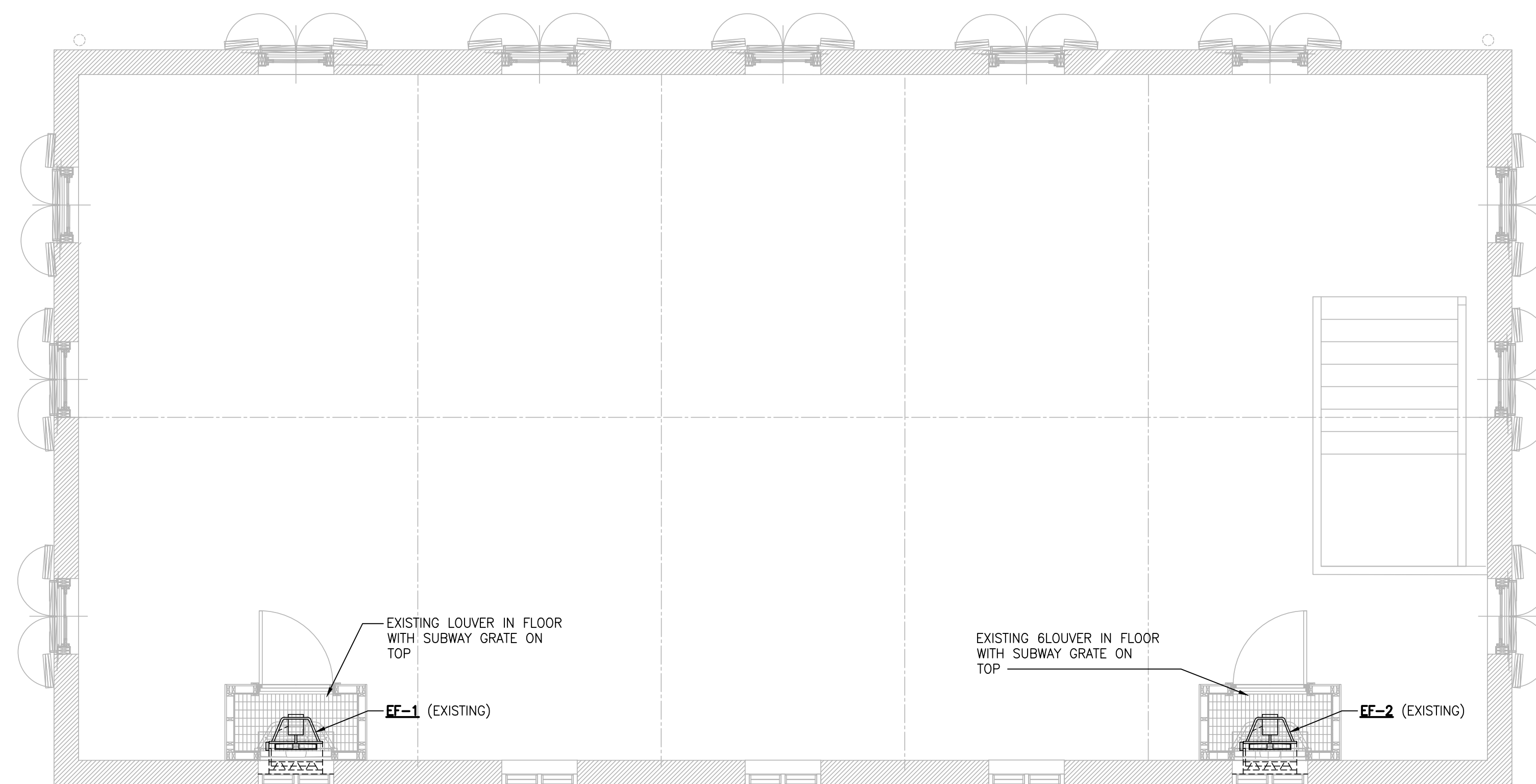
1. AIR DEVICE LOCATIONS SHALL BE TEMPORARILY MARKED ON FLOOR AND APPROVED BY ARCHITECT BEFORE INSTALLATION.
2. THERMOSTATS SHALL BE MOUNTED 48" AFF.



1 FIRST FLOOR - MECHANICAL
M-1.111 SCALE: 1/4" = 1'-0"

KEYED NOTES:

- 1 AIR DEVICES SHALL BE STAINED AND FINISHED TO MATCH FLOOR. PROVIDE FINISHED SAMPLES TO ARCHITECT FOR APPROVAL.



2 SECOND FLOOR - MECHANICAL
M-1.111 SCALE: 1/4" = 1'-0"

Print Record

Revisions

Date 8-25-2016 Job No. 201630

Sheet Title
**MECHANICAL PLANS
FIRST & SECOND FLOORS**

Sheet No.

M-1.111

Of

Released for Construction
 Not Released for Construction



Proposed
ROSWELL MILL
MACHINE SHOP
RENOVATION
circa 1854
Roswell, Georgia
30075

for:
City of Roswell
Parks & Recreation
Department

COPYRIGHT NOTICE: CONSTRUCTION LICENSE
Plans: COPYRIGHT ©2014 by TODD ARCHITECTS, INC.
These plans are protected under federal copyright law.
Reproduction by any means, modification, or use of these
plans to construct for any other project, unless otherwise
specifically authorized is prohibited.

Print Record

Revisions

Date Job No.
8-25-2016 201630

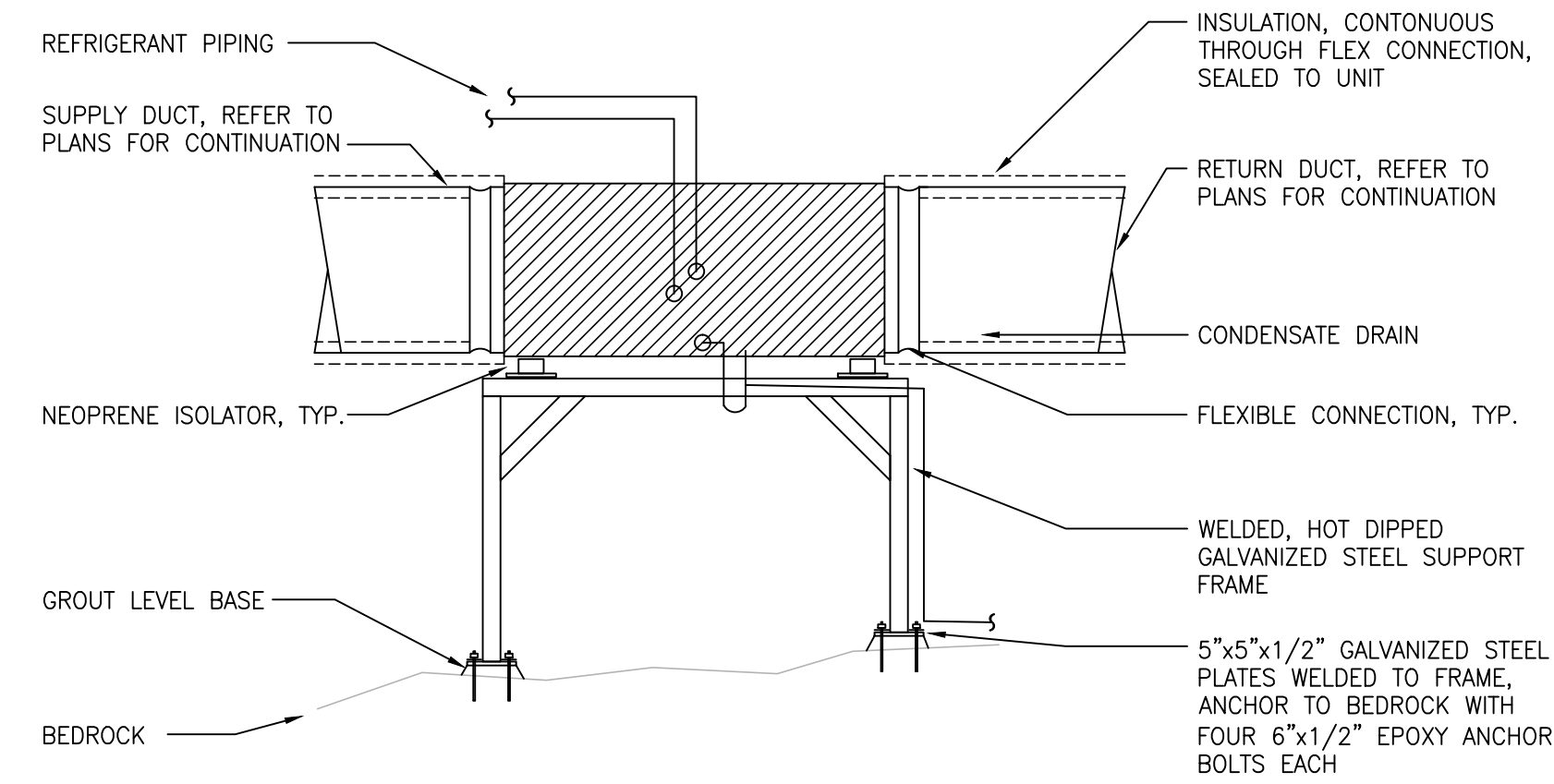
Sheet Title
MECHANICAL DETAILS

Sheet No.

M-2.000

Of

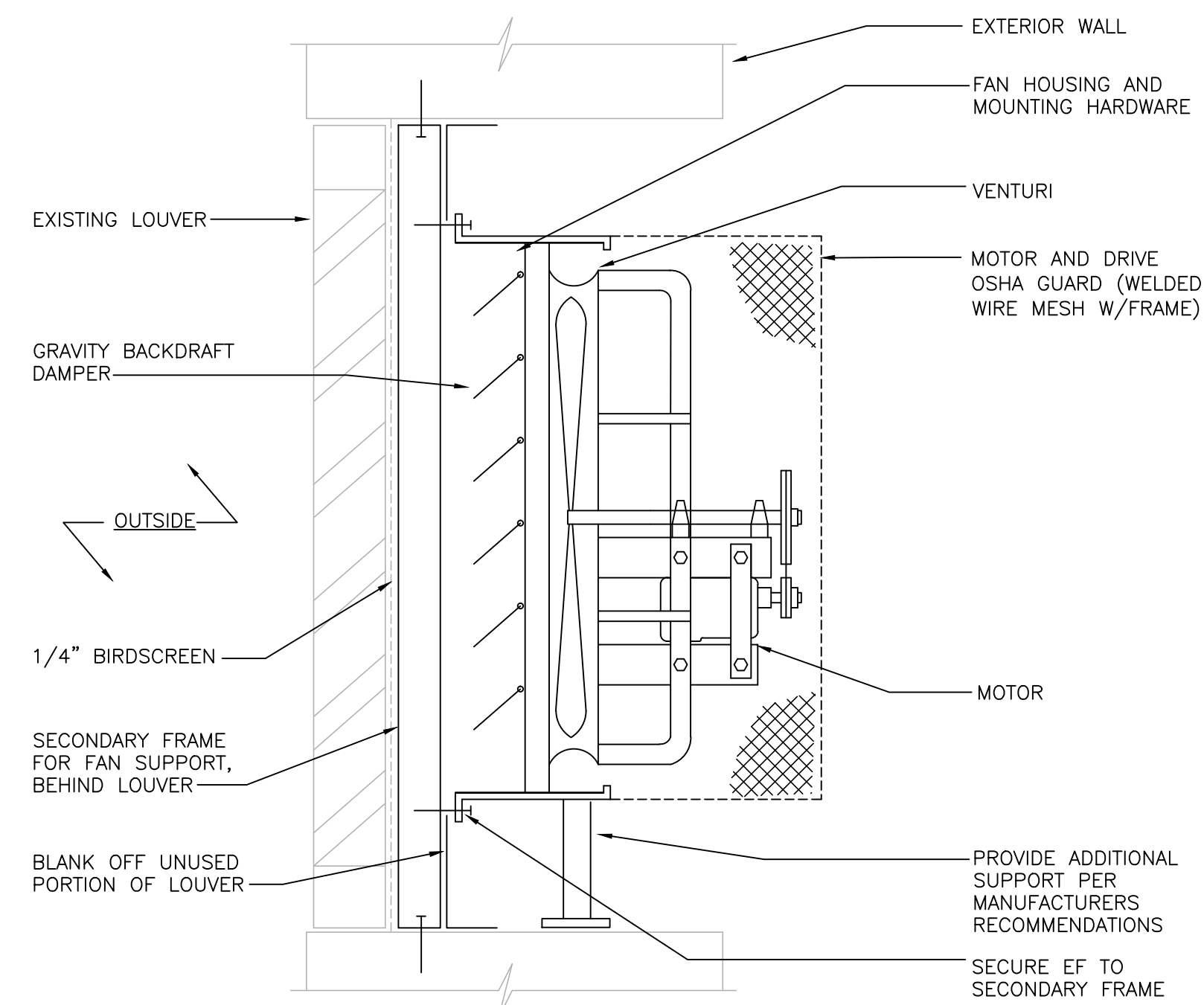
Released for Construction
 Not Released for Construction



NOTES:

- UNIT, SUPPORTS, PIPING, AND INSULATION SHALL BE PAINTED OR COVERED IN COLOR SELECTED BY ARCHITECT. PROVIDE SAMPLES FOR ARCHITECT APPROVAL.
- PROVIDE CROSS BRACING AS REQUIRED TO PREVENT SWAYING.

1 FAN COIL UNIT
M-2.000 SCALE: NONE



2 WALL-MOUNTED FAN
M-2.000 SCALE: NONE

ABBREVIATIONS

ABBREV.	DEFINITION	ABBREV.	DEFINITION
A/C	ABOVE CEILING	L&S	LOUVER AND SCREEN
AD	ACCESS DOOR	LF	LINEAR FEET
AFF	ABOVE FINISHED FLOOR	MD	MANUAL DAMPER
B/F	BELOW FLOOR	MECH	MECHANICAL
B/G	BELOW GRADE	MFR	MANUFACTURER
BB	BASE BUILDING	MOD	MOTOR-OPERATED DAMPER
BD	BACKDRAFT DAMPER	MTD	MOUNTED
BLDG	BUILDING	N/A	NOT APPLICABLE
CD	CONDENSATE DRAIN	NC	NOISE CRITERIA
CF(H/M)	CUBIC FEET PER (HOUR / MINUTE)	NOM	NOMINAL
CLG	CEILING	OA	OUTSIDE AIR
CONC	CONCRETE	OPNG	OPENING
CONT	CONTINUATION	PLBG	PLUMBING
CW	DOMESTIC COLD WATER	RA	RETURN AIR
DIA	DIAMETER	S	SANITARY
DIV 15/16	DIVISION 15000 (MECH) / 16000 (ELEC)	SA	SUPPLY AIR
DN	DOWN	SF	SQUARE FEET
EA	EACH or EXHAUST AIR	THRU	THROUGH
ELEC	ELECTRICAL	T'STAT	THERMOSTAT
EXH	EXHAUST	TYP	TYPICAL
EXIST	EXISTING	UNO	UNLESS NOTED OTHERWISE
FA	FREE AREA	WG	WATER GAUGE
FLR	FLOOR	V	VENT
HW	DOMESTIC HOT WATER	XFER	TRANSFER

ALL ABBREVIATIONS MAY NOT APPEAR ON DRAWINGS.

